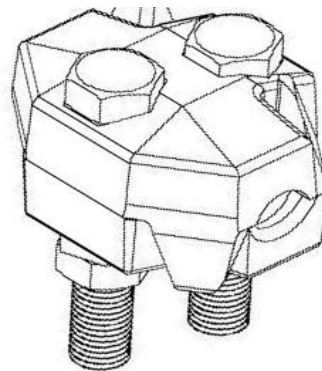
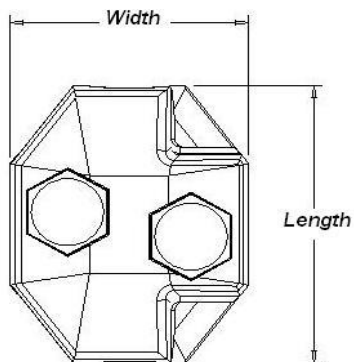


## IronGrip BG-100 Wire Clamps

### Technical Specifications

Name	Wire Diameter (mm)	Length (mm)	Width (mm)	Weight (kg)	No. of Bolts	Bolt Dimension	Rec. Torque (Nm)
BG-600	5-6	32	26	0.09	2	M6*35	9.5
BG-800	7-8	36	28	0.12	2	M6*40	9.5
BG-1000	9-10	44	34	0.20	2	M8*50	22.5
BG-1200	11-12,5	54	42	0.39	2	M10*60	44
BG-1600	13-16	68	52	0.72	2	M12*75	75
BG-2000	17-20	82	60	1.18	2	M14*90	120
BG-2500	21-25	122	80	2.80	2	M18*110 f.t.	260
BG-3400	26-34	214	94	7.70	4	M20*150 f.t.	360



#### Material Specification:

Cast steel GS-60

Strength class for bolts: 8.8 in accordance with ISO 3506

Rustproofing of castings: Hot dip galvanisation in accordance with ISO 1461

Rustproofing of bolts: Electrically galvanised in accordance with ISO 2081

Recommended for all kinds of lifting applications with two wire clamps per fixation for wire ropes of tenacity class including 1960 N/mm<sup>2</sup>

Tested and approved according to EN 13411-3:2004