

Wire clamp BG-100



IronGrip BG-100 – Secure fastenings for modern wire ropes

- Only 2 wire clamps per fastening – with older, more basic types of wire clamp, 3-7 wire clamps are required per fastening
- Adapted to modern wire ropes – today's standard wire ropes can carry loads up to 40% higher than a few decades ago. Modern wire ropes require modern wire clamps.
- Fully symmetrical and can be mounted in any direction – other clamps have to be

mounted in the right direction, resulting in greater uncertainty and higher costs.

- Irrespective of whether the rope has a right-hand or left-hand lay.
- Exhaustively tested by independent, accredited testing bodies.
- Full documentation from design data to quality assurance, traceability and mounting instructions.

Modern wire ropes require modern wire clamps!

IronGrip's first wire clamp was launched in the middle of the 20th century, and soon became an industry standard within lifting. It was originally developed as a safer alternative to U-bolt wire fittings, which had previously been used for all types of wire rope fastening.

Even though the old wire clamp has worked well for decades, steel wires have been developed to become ever stronger and more specialised, with entirely new properties. Today's wire ropes need new wire clamps that match these properties.

The BG-100 is our new wire clamp, based on IronGrip's long experience and fundamental technology, which satisfies modern demands for durable wire ropes and simplified mounting. The BG-100 is the safest wire clamp on the market, yet it is an excellent alternative from an economic perspective thanks to the reduced number of wire clamps required per fastening, which reduces mounting time, maintenance and space requirements.

TECHNOLOGY – The development of the BG-100 is based on IronGrip's experience extending over more than 50 years, on state of the art tools to assist in analysis and design, as well as on meticulous practical testing. The fundamental principle is based on forcing the wire into an S-shape, which means an increase in friction without any damage to the wire.

MATERIALS – The materials have been chosen in consultation with leading technical experts in order to optimise the material to the application. Hot-dip galvanising of the castings ensures a long life, enabling the clamps to be re-used. Electrically galvanised standard bolts ensure more secure tightening, and if necessary they can be replaced with bolts with better corrosion properties.

QUALITY – The BG-100 is manufactured subject to IronGrip's stringent quality requirements in accordance with ISO-9001 standards.

DOCUMENTATION – The design and testing are well documented. Traceability means that each wire clamp can be traced back to the time and place of manufacture.

SAFETY – The clamps ensure fastening of the wire to a degree of at least 90% in accordance with the current European standard for e.g. ferrules.

ECONOMY – Thanks to the increased efficiency of each clamp, fewer clamps are required per fastening. This means both reduced material costs and cheaper installation. The clamps also take up

less space on the wire.

APPROVED FOR LIFTING – The wire clamps are tested by accredited bodies in accordance with EN 13411-3:2004 and are approved for general lifting applications up to strength class 1960 N/mm², with two wire clamps per fastening for all dimensions.

WORLD LEADER – The BG-100 is the most important new product for wire rope fastenings for several decades. No other wire clamps feature the same performance as the BG-100. It is protected by design patents.

AREAS OF USE – Suitable for all types of lifting and fastenings, including lifts, cranes and suspended loads.

TECHNICAL INFORMATION:

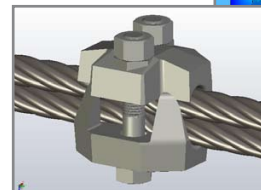
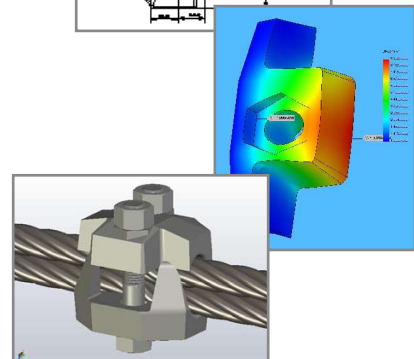
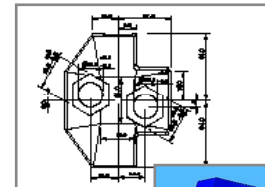
Strength class for bolts: 8.8 in accordance with ISO 3506

Rustproofing of castings: Hot-dip galvanisation in accordance with ISO 1461

Rustproofing of bolts: Electrically galvanised in accordance with ISO 2081

Temperature range for use: -50 - +250 C

Wire clamp	Wire Ø (mm)	Number of clamps	Weight (kg/100)
BG-600	5–6	2	9
BG-800	6,5–8	2	12
BG-1000	8,5–10	2	20
BG-1200	11–12,5	2	39
BG-1600	13–16	2	72
BG-2000	17–20	2	120
BG-2500	21–25	2	280
BG-3400	26–34	2	770



Note:

- Follow the mounting instructions for the wire clamps. See the website or contact us.
- The teeth on each half of the clamp absorb small displacements in the clamp. If the teeth break, this is a sign that the displacements have become abnormally large. Replace the clamp immediately and ensure that the recommended tightening torque is followed.
- The above recommendations regarding load and the number of wire clamps apply provided that the wire rope is new and undamaged when the clamps are applied.
- The wire clamps should be tightened after a period of use.

 **IRONGRIP™**
Reliably Engineered

Johan Banérs väg 24, SE-182 75 Stocksund, Sweden

www.iron grip.se, info@iron grip.se, Tel: +46(0)8-661 91 70, Fax: +46(0)8-661 91 80